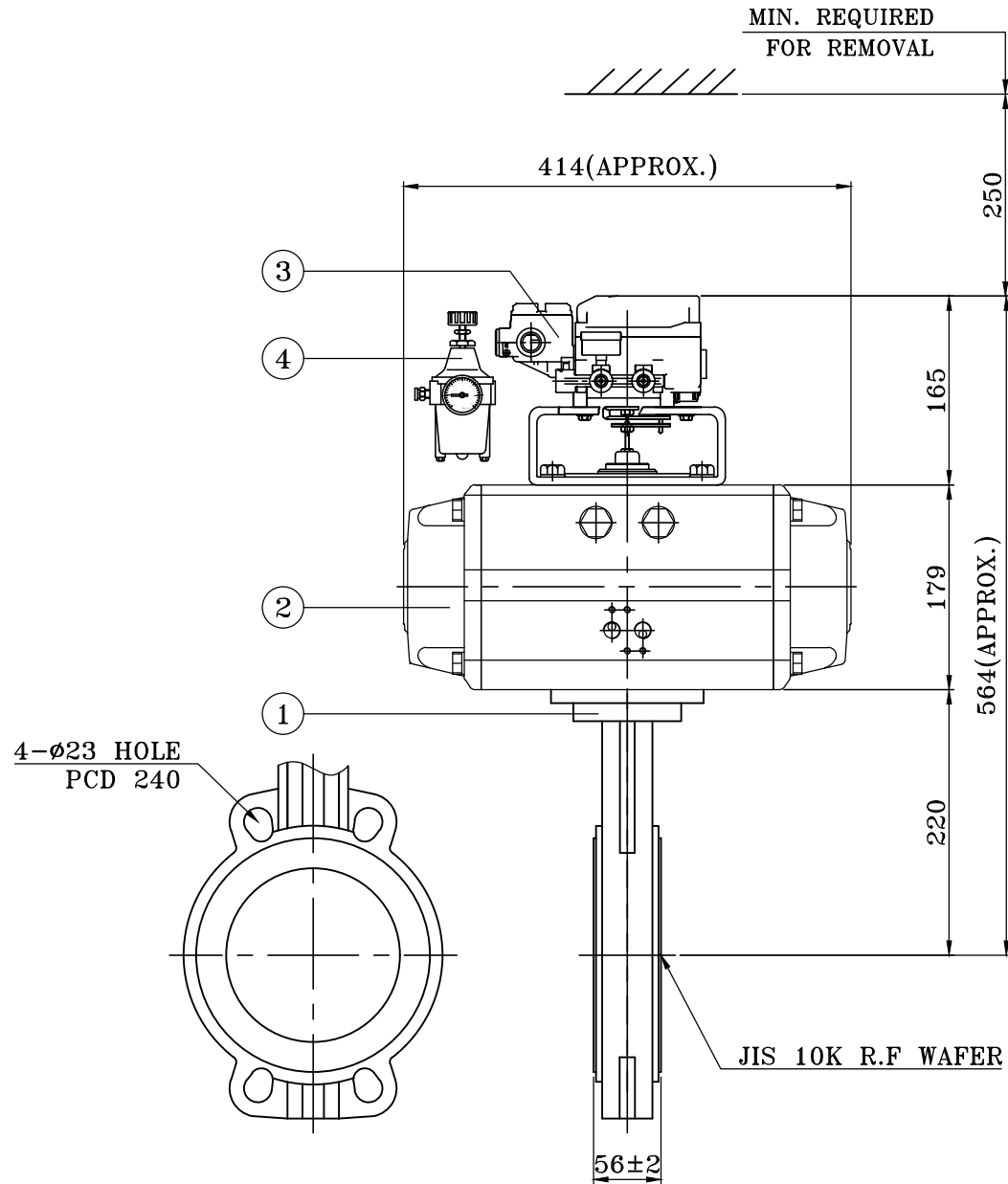




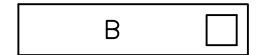
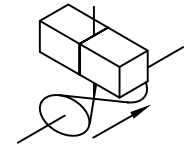
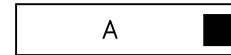
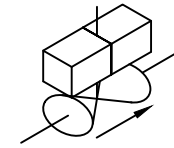
# VALVE DATA SHEET

Project	포스코 포항_1EGL		
Item	Pneumatic Control Teflon Lined Butterfly Valve	Sheet No.	9 OF 15
Service		P&ID No.	
Tag. No.	ACV-451	MFG. No.	20221155
Model No.	YABB-122C1	Q'ty (Set)	1

SERVICE CONDITIONS	1	Medium				ACTUATOR	46	Actuator Type	Single Acting Cylinder		
	2		Max. Q	Nor. Q	Nin. Q		47	Model No.	B4SR		
	3	Flow Rate	kg/hr				48	Close At (bar G)	Open At (bar G)	2.0	3.5
	4	Inlet Pressure	kgf/cm <sup>2</sup> G				49	Fail Position (Signal / Air)	Close		
	5	Outlet Pressure	kgf/cm <sup>2</sup> G				50	Hand-Wheel (Type / Location)	-		
	6	Differential Pressure	kgf/cm <sup>2</sup>				51	Painting Color (RAL No.)	RAL 5019		
	7	Inlet Temperature	℃				52	Painting Type	Polyurethane		
	8	Specific Gravity	G				I / P POSITIONER	53	Input Signal (mA DC)	4 ~ 20	
	9	Density	kg/m <sup>3</sup>					54	Output Pressure (bar G)	2.0 ~ 3.5	
	10	Molecular Weight	M.W					55	Type	Conventional	
	11	Viscosity	cPs					56	Enclosure	IP-66	
	12	Predicted SPL	dBA					57	Model No.	EP-6100	
	13	Calculated Cv						59	MFG.	Proval	
	14	Opening Lift	%					POSITION TRANSMITTER	59	Output (mA DC)	-
	15						60		Type	-	
	16						61		Model No.	-	
DESIGN	17	Shut Off ΔP				SOLENOID VALVE	62	Power	-		
	18	Design Pressure					63	Type	-		
	19	Design Temp.					64	Enclosure	-		
LINE	20	Inlet Pipe Size (A) / Sch. No.	150			65	Model No.	-			
	21	Outlet Pipe Size (A) / Sch. No.	150			66	MFG.	-			
BODY & TRIM	22	Body Type	Butterfly		LIMIT SWITCH	67	Quantity	-			
	23	Body Size (B) / Port Size (B)	150	150		68	Type	-			
	24	Trim Design	Guide	Concentric		Top & Bottom	69	Enclosure	-		
	25	Trim Type	Trim Seal Ring	-		-	70	Model No.	-		
	26	Rating & End Connection	JIS 10K R.F Wafer			71	MFG.	-			
	27	Flange Facing	-		AIR SET	72	Air Supply Pressure (bar G)	5.0			
	28		Body	Ductile + PTFE		73	Model No.	AR-1501			
	29		Plug / Disc / Ball	Ductile + PFA		ACCESSORY	74	Lock-Up Valve	-		
	30		Seat	Ductile + PFA			75	Volume Booster	-		
	31	Material	Cage	-			76	Snap Acting Relay	-		
	32		Stem	-			77	Check Valve	-		
	33		Packing	PTFE			78	Air-Operated Valve	-		
	34		Bonnet Type	Standard			79	Exhaust Valve	-		
	35	Trim Form	Modified-Equal %		80		Speed-Controller	-			
	36	Max.Allow Sound Level (dBA)	Less than 85		81						
	37	Required Seat Tightness	ANSI CLASS IV		82						
	38	Rated Cv	-		83						
	39	Stroke	90°		84						
	40	Flow Action To	Direct		85						
	41	Painting Color (RAL No.)	-		MISCELLANEOUS	86	Conduit Connection	Air Supply	PT.F 1/4"		
	42	Painting Type	-			87		Electrical	PF.F 1/2"		
	43					88	Water Seal	-			
	44					89	Tubing Material	316 SS			
	45					90					
	NOTE										
A	2022-10-14	For Approval				S. J. K	H. S. L	S. S. H			
No.	Date	Revision				Prepared By	Checked By	Approved By			



Actuator Location



- Tag No. : ACV-451

4	Air-Set		
3	Positioner		
2	Actuator		
1	Body	Ductile + PTFE	
No.	Name Of Parts	Material	Remark
Model No.	YABB-122C1	Size	150A
DWG. Name Pneumatic Shut-Off Teflon Lined Butterfly Valve			
DRAW'N	J.H Bae	APP'D	J.S Noh
PROVAL Co., Ltd.		Date	2022.10.14
		Rev.	A
		Sheet No.	9 of 15